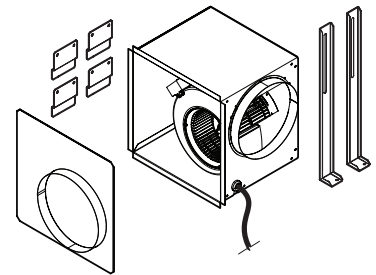


MODEL PF6 FLEX BLOWER for D49 Series Downdraft



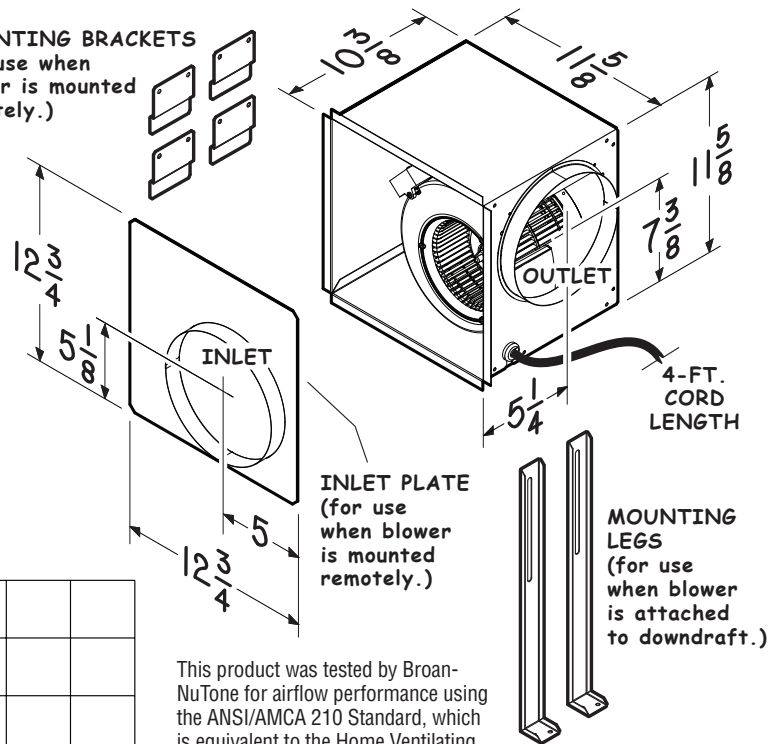
Flex Blower System enables multiple positioning option when used with D49 Series Downdraft. Opens up a whole new way to look at kitchen design.

FEATURES

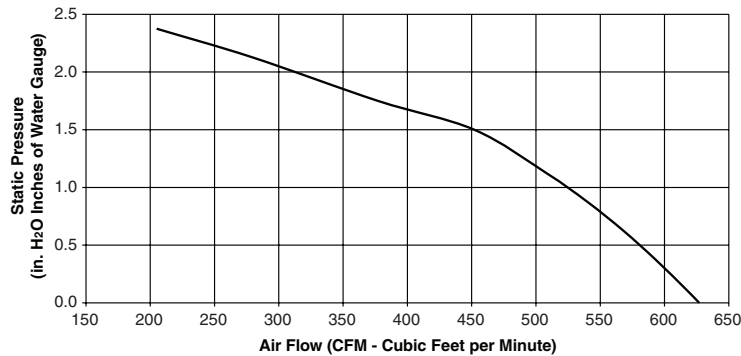
- 600 cfm, 120VAC, 60Hz, 3.0A
- Galvanized steel construction
- Designed for direct or remote mounting to D49 Series Downdraft
- Includes 8" round inlet adapter plate for remote, in-line operation
- Built-in 8" round outlet duct connection
- Thermally-protected motor with ball bearing shaft for long life and quiet operation
- Includes mounting legs and brackets to secure blower

DIMENSIONS

MOUNTING BRACKETS
(for use when blower is mounted remotely.)



PF6 BLOWER



This product was tested by Broan-NuTone for airflow performance using the ANSI/AMCA 210 Standard, which is equivalent to the Home Ventilating Institute HVI 916 - Procedure for Air Flow Testing, and tested for sound performance using the ANSI S12.51 Standard, which is equivalent to the Home Ventilation Institute HVI 915 - Procedure for Loudness Rating of Residential Fan Products.



BEST Hartford, Wisconsin www.BestRangeHoods.com 800-558-1711
 BEST Drummondville, QC, Canada www.BestRangeHoods.com 866-737-7770

REFERENCE	QTY.	REMARKS	Project
			Location
			Architect
			Engineer
			Contractor
			Submitted by
			Date